

Technical data sheet

Product features



Cooking range electric with electric static oven

Model	SAP Code	00014787
--------------	-----------------	----------



- Device type: Electric unit
- Type of internal part of the appliance 1 (eg oven): Electric
- Type of internal part of the appliance 2 (eg oven): Static
- Protection of controls: IP24
- Material: AISI 304 top plate and cladding

SAP Code	00014787	Power electric [kW]	24.300
Net Width [mm]	1200	Loading	400 V / 3N - 50 Hz
Net Depth [mm]	730	Type of internal part of the appliance 1 (eg oven)	Electric
Net Height [mm]	900	Type of internal part of the appliance 2 (eg oven)	Static
Net Weight [kg]	166.00		

Technical data sheet

Technical drawing

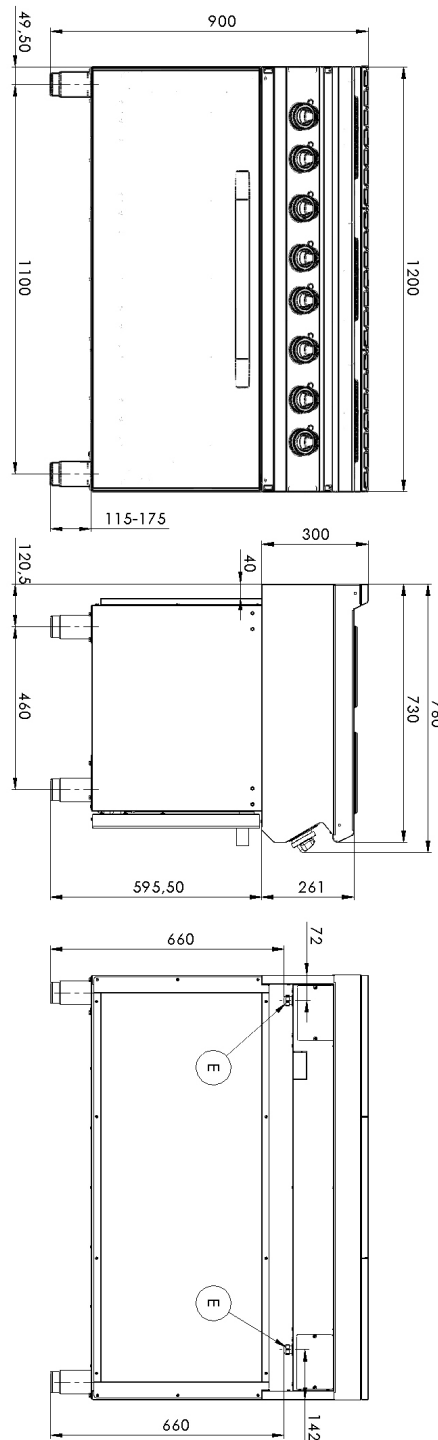


Cooking range electric with electric static oven

Model

SAP Code

00014787



Technical data sheet

Technical parameters



Cooking range electric with electric static oven

Model

SAP Code

00014787

1. SAP Code:

00014787

2. Net Width [mm]:

1200

3. Net Depth [mm]:

730

4. Net Height [mm]:

900

5. Net Weight [kg]:

166.00

6. Gross Width [mm]:

1260

7. Gross depth [mm]:

820

8. Gross Height [mm]:

1080

9. Gross Weight [kg]:

182.00

10. Device type:

Electric unit

11. Construction type of device:

Stationary

12. Power electric [kW]:

24.300

13. Loading:

400 V / 3N - 50 Hz

14. Protection of controls:

IP24

15. Device color:

Stainless steel

16. Material:

AISI 304 top plate and cladding

17. Worktop type:

Molded - comfortable cleaning maintenance

18. Worktop material:

AISI 304

19. Worktop Thickness [mm]:

1.50

20. Safety thermocouple:

Yes

21. Adjustable feet:

Yes

22. Number of burners/hot plates:

6

23. Type of electric cooking zones:

Oval

24. Oven Type:

electrical static

25. Oven power gas [kW]:

8.70

26. Oven size:

GN 3x 1/1

27. Type of internal part of the appliance 1 (eg oven):

Electric

28. Type of internal part of the appliance 2 (eg oven):

Static

Technical data sheet

Technical parameters



Cooking range electric with electric static oven

Model

SAP Code

00014787

29. Gasket:

Yes